

Engine 2TNV70
Engine power 7,6 kW - 10,0 HP
Operating Weight 1.060 kg

ES 10 ZT

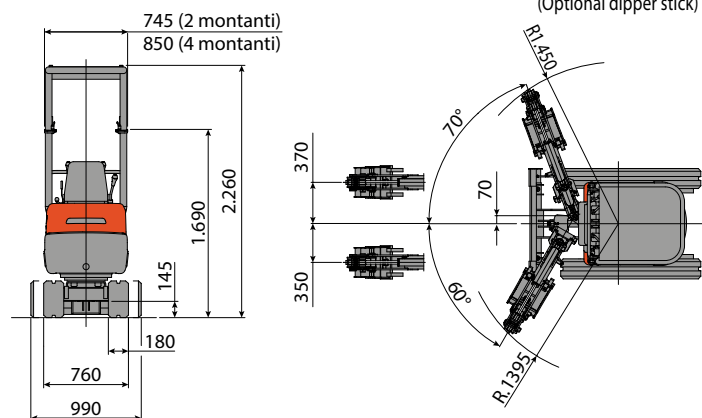
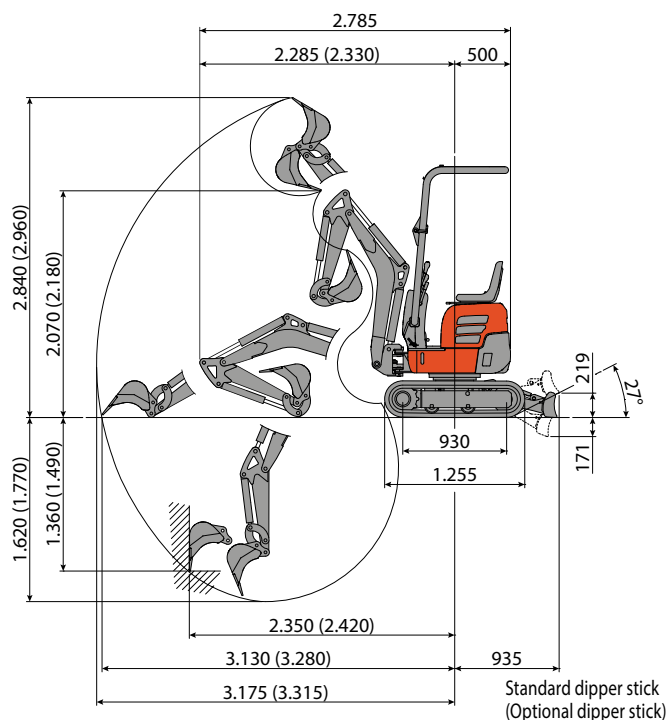
Concrete solutions. Always



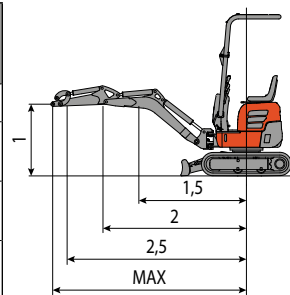
TECHNICALS SPECIFICATIONS

Operating weight with folding bar	kg	1.060	
Operating weight with canopy	kg	1.060	
Travelling speed	km/h	1 ^a : 0 ÷ 1,8 / 2 ^a : 0 ÷ 3,8	
Slew speed	rpm	9,5	
ENGINE			
Type	YANMAR 2TNV70		
Max Power (2.300 rpm)	kW - HP	7,6 - 10,0	
Displacement	cc	570	
Number of cylinders	n°	2	
Cooling	water		
Consumption	lt/h	1,6	
Alternator	V (A)	12 (40)	
Battery	V (Ah)	12 (45)	
HYDRAULIC SYSTEM			
Pump type	n°2 gear pumps		
Pump displacement	cc	4,8 + 4,8	
Pump capacity	lt/min	23	
Max. circuit calibration pressure	bar	170	
Auxiliary system:	Max capacity	lt/min	23
	Max pressure	bar	180
PERFORMANCES			
Max digging depth standard arm (optional arm)	mm	1.620 (1.770)	
Max dumping height standard arm (optional arm)	mm	2.070 (2.180)	
Bucket breaking force (standard arm) ISO 6015	daN	1.010	
Arm breaking force (standard arm) ISO 6015	daN	752	
Traction force	daN	1.050	
Ground bearing pressure with folding bar (with canopy)	kg/cm ²	0,32 (0,32)	
Max slope	60% - 30°		
DIMENSIONS			
Maximum width	mm	760 - 990	
Total height	mm	2.260	
Rear rotation radius	mm	500	
Digging arm length std (optional)	mm	750 (900)	
Tracks width	mm	180	
Rollers number (for each side)	n°	2	
FILLINGS			
Fuel tank	lt	9,5	
Hydraulic oil tank	lt	9,5	
Hydraulic circuit capacity	lt	15	
Cooling system capacity	lt	5	
Engine oil	lt	1,5	
CONTROLS			
Boom, dipper stick, bucket and turret swing	2 levers		
Track movements (included counter rotation)	2 levers		
Dozer blade	mechanical lever		
Auxiliary circuit (simple or double effect)	left pedal		
Boom swing	right pedal		

ES 10 ZT



LIFTING CAPACITY				
Opening arm from the rotation's center (m) Lifting capacity (kg) at 1.0 m height				
	1,5	2	2,5	MAX
Frontal and lowered dozer blade	335	235	200	175
Frontal and lifted dozer blade	290	175	125	105
Lateral, open undercarriage	335	190	115	90



The lifting capacity is based on the ISO 10567 and it does not exceed more than the 75% of static tipping load or more than the 87% of the hydraulic lifting capacity of the machine.



EUROCOMACH

Sampierana S.p.A.

47021 S.Piero in Bagno (FC)

via Leonardo da Vinci, 40

Tel +39 0543.904211

Fax +39 0543.918520

www.eurocomach.com